

FOR CONTINUATION SEE
SEE CRS-E-19

FOR CONTINUATION SEE CRS-E-33A

AMENDMENT 2

CONTRACT NO.

DESIGNED	TINKHAM	9-78
DRAWN	MANN	10-78
CHECKED	TINKHAM	11-78
APPROVED	SZCZUR	12-78

REFERENCE DRAWINGS	
NUMBER	DESCRIPTION

REVISIONS		
DATE	BY	DESCRIPTION
5-85	W.T	ADDED ETS
10-89	WPT	ADDED END APPROACH STA.
05-07	VT	CHAIN MARKER # 464,465&467 REVISED

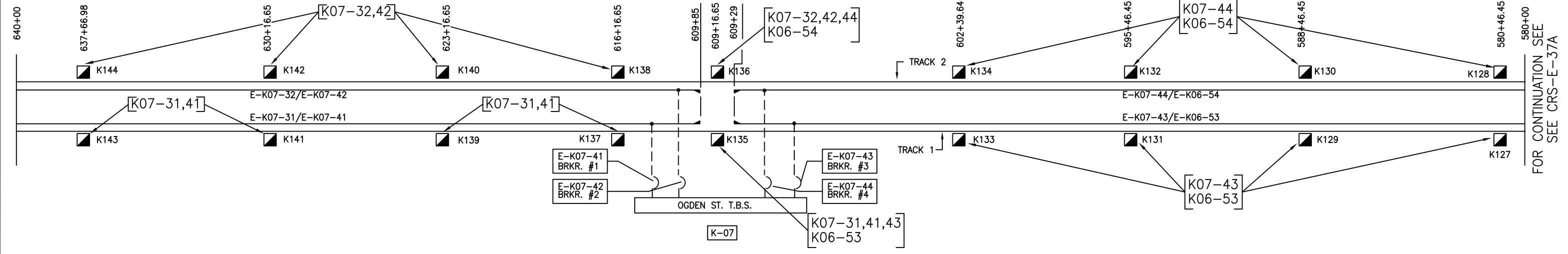
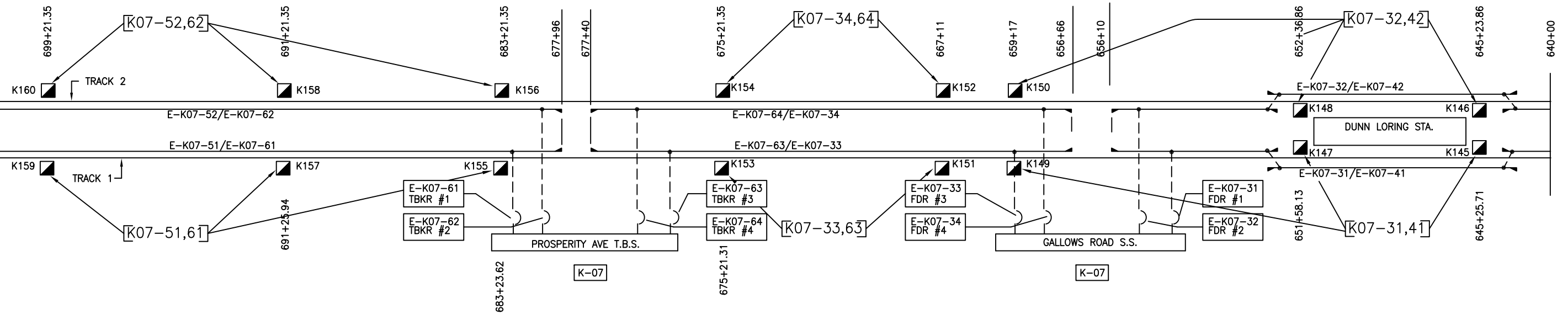
WASHINGTON METROPOLITAN AREA TRANSIT AUTHORITY

CAPITAL TRANSIT CONSULTANTS
SECTION DESIGNER

SUBMITTED PROJECT MANAGER

TRACTION POWER CONTACT RAIL SCHEMATIC DIAGRAM AND EMERGENCY TRIP STATIONS	
SCALE	DRAWING NO. CRS-E-33

FOR CONTINUATION SEE
SEE CRS-E-36



AMENDMENT 2

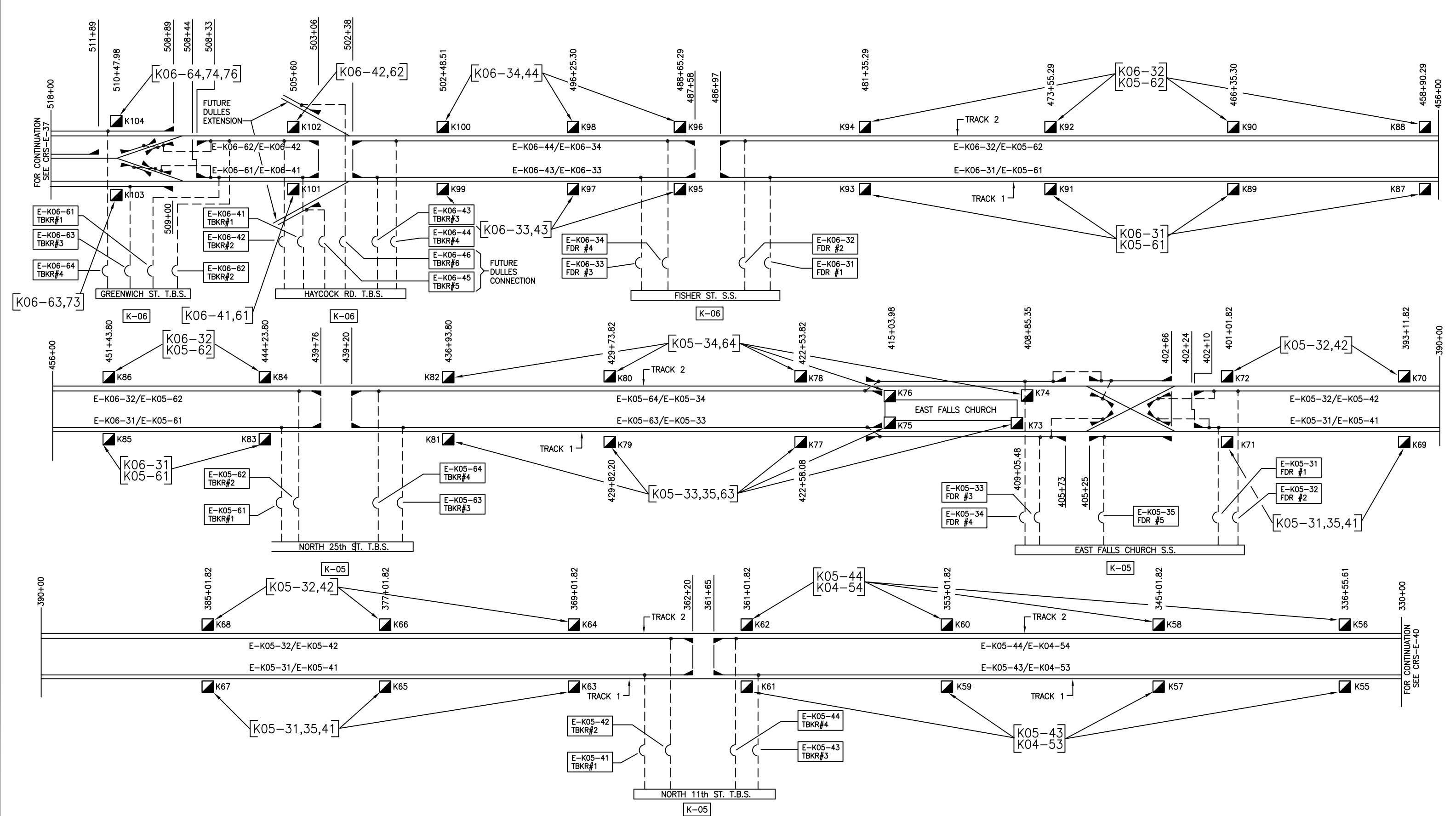
DESIGNED	B. GHORBAN	6-08
DRAWN	R. HOOKER	6-08
CHECKED	D. RAVARRA	6-08
APPROVED	M. QUATTARA	6-08

REFERENCE DRAWINGS	
NUMBER	DESCRIPTION

REVISIONS		
DATE	BY	DESCRIPTION
10-89	WPT	ADDED BUMPING POSTS AND END APPROACH STATION
6-08	MD	ADDED K06/K99 YARD TPSS EXPANSION

WASHINGTON METROPOLITAN AREA TRANSIT AUTHORITY

TRACTION POWER CONTACT RAIL SCHEMATIC DIAGRAM AND EMERGENCY TRIP STATIONS	
SCALE	DRAWING NO. CRS-E-37



AMENDMENT 2 CONTRACT NO. _____

DESIGNED		TINKHAM		9-78	
DRAWN		MANN		10-78	
CHECKED		TINKHAM		11-78	
APPROVED		SZCZUR		12-78	
DATE		DATE		DATE	

REFERENCE DRAWINGS		REVISIONS	
NUMBER	DESCRIPTION	DATE	BY
		10-89	W.P.T.

WASHINGTON METROPOLITAN AREA TRANSIT AUTHORITY

CAPITAL TRANSIT CONSULTANTS

SECTION DESIGNER

SUBMITTED _____ PROJECT MANAGER _____

TRACTION POWER CONTACT RAIL SCHEMATIC DIAGRAM AND EMERGENCY TRIP STATIONS

SCALE _____ DRAWING NO. **CRS-E-39**